

SHLS/RS-60 AFR alcove shower

Model number:

141036A

Dimensions: 60" x 36" x 79"

Installation: Alcove

Material: AcrylX™



Standard Features:

- One-piece shower with optional roofcap
- Two-level built-in corner shelves
- Right or left-hand seat with integrated footrest (opposite to seat)
- Center drain
- Textured floor
- Above-the-Floor Rough

Product characteristics:

- One-Piece Unit
- Integrated Shelving
- Above-the-Floor Rough (AFR)

Warranty:

Lifetime limited

Standard colors:



White (002)



Bone (004)



Biscuit (007)

Certifications

MAAX products adhere to one or more of the following certifications:



Recommended doors (Visit our website for a complete list of our recommended doors)

Description	No
134565	Kameleon Sliding Shower Door 55-59 x 71 in. 6 mm
134665	Kameleon SC Sliding Shower Door 55-59 x 71 in. 6 mm
136457	Kleara 2-panel Pivot Shower Door 54 ½-57 ½ x 69 in. 6 mm

Options (Visit our website for a complete list of our options)

No	Description
<input type="checkbox"/> OPT 10171	Light for roofcap

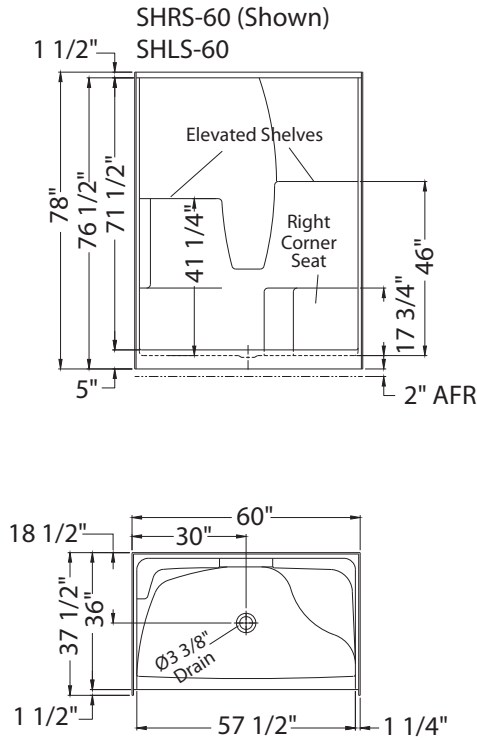
SHLS/RS-60 AFR alcove shower

Model number: 141036A

Dimensions: 60" x 36" x 79"

Installation: Alcove

Material: AcryIX™



Dimensions:
60 x 36 x 78 1/2 in.
Weight:
126 lbs -
Shape:
Rectangular
Pieces:
1
Drain location:
Left
Right

All dimensions are approximate. Structure measurements must be verified against the unit to ensure proper fit.

Project: _____

Contractor: _____

Representative: _____

Date: _____

Tel: _____

Notes: _____
