

S-60 alcove shower

Model number:

141029

Dimensions: 60" x 36" x 75"

Installation: Alcove

Material: AcryIX™



Standard Features:

- One-piece shower with optional roofcap
- Built-in corner shelves
- Twin seats
- Center drain
- Textured floor

Product characteristics:

- One-Piece Unit
- Integrated Shelving
- Integral seats

Warranty:

Lifetime limited

Standard colors:



Certifications

MAAX products adhere to one or more of the following certifications:



Recommended doors (Visit our website for a complete list of our recommended doors)

Description	No
138313	Triple Plus Sliding Shower Door 50 ½ x 52 ½ x 66 in.

Options (Visit our website for a complete list of our options)

No	Description
<input type="checkbox"/> OPT 10171	Light for roofcap

S-60 alcove shower

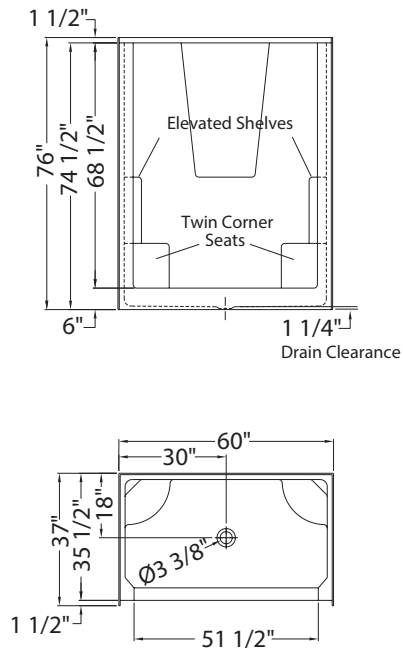
Model number:

141029

Dimensions: 60" x 36" x 75"

Installation: Alcove

Material: AcryIX™



Dimensions:

60 x 35 1/2 x 74 1/2 in.

Weight:

135 lbs -

Shape:

Rectangular

Pieces:

1

Drain location:

Two seats, center drain

All dimensions are approximate. Structure measurements must be verified against the unit to ensure proper fit.

Project:

Contractor:

Representative:

Date:

Tel:

Notes: