

ALLIA SHR-4834 (1-piece)

Model number:

107004

Dimensions: 48" x 34" x 88"

Installation: Alcove

Material: Acrylic



Standard Features:

- 1 or 3-piece shower with integrated roofcap and 3 1/4 in. threshold
- Wide 3-level corner shelves and textured floor
- Standard 12 in. color-coordinated grab bar
- Right, Left or no seat and center drain
- Optional grab bars and fold down seat available
- All grab bars and seats can support up to 300 lbs

Product characteristics:

- One-Piece Unit
- Easy Installation
- Grab Bars & Seats Available

Warranty:

25 Years

Standard colors:



White (001)

Certifications

MAAX products adhere to one or more of the following certifications:



Recommended doors (Visit our website for a complete list of our recommended doors)

| No | Description |
|--------|--|
| 136452 | Kleara 2-panel Pivot Shower Door 39 1/2-42 1/2 x 69 in. 6 mm |
| 138290 | Triple Plus Sliding Shower Door 41-43 x 69 in. |

Options (Visit our website for a complete list of our options)

| No | Description |
|--------------------------------------|--|
| <input type="checkbox"/> OPT 10189 | All walls reinforced |
| <input type="checkbox"/> OPT 20054 | 48 in. curtain rod |
| <input type="checkbox"/> OPT 20203-B | 18" Modern straight horizontal grab bar on back wall |
| <input type="checkbox"/> OPT 20203-L | 18" Modern straight vertical grab bar on left wall |
| <input type="checkbox"/> OPT 20203-R | 18" Modern straight vertical grab bar on right wall |

ALLIA SHR-4834 (1-piece)

Model number:

107004

Dimensions: 48" x 34" x 88"

Installation: Alcove

Material: Acrylic

Dimensions:

48 x 34 x 88 in.
(1219 x 864 x 2235 mm)

Weight:

154 lbs - 70 kg

Shape:

Rectangular

Pieces:

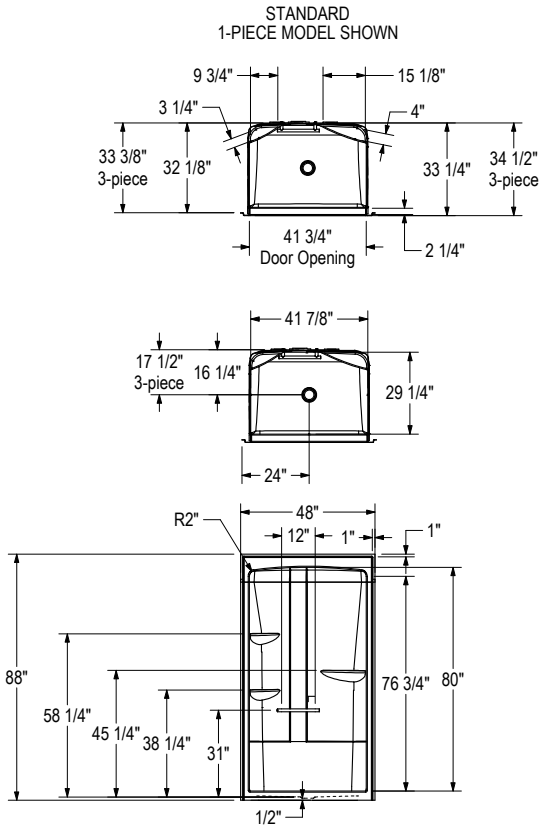
1

Drain location:

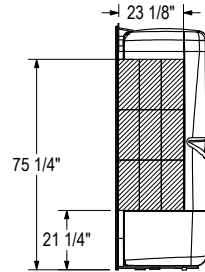
No seat, center drain

Left seat, center drain

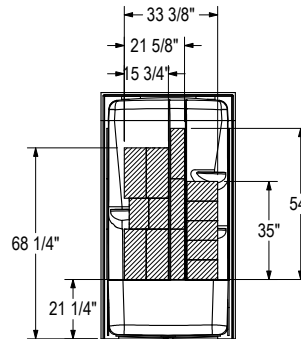
Right seat, center drain



OPTIONNAL REINFORCEMENT (Left shown, Right symmetrical)



OPTIONNAL REINFORCEMENT (Back Wall)



All dimensions are approximate. Structure measurements must be verified against the unit to ensure proper fit.

Project:

Contractor:

Representative:

Date:

Tel:

Notes: